

## SHOW SPECIAL ORDER FORM

COMPANY \_\_\_\_\_  
 ADDRESS \_\_\_\_\_  
 CITY \_\_\_\_\_ PROVINCE \_\_\_\_\_ POSTAL CODE \_\_\_\_\_  
 NAME \_\_\_\_\_ TELEPHONE \_\_\_\_\_ FAX \_\_\_\_\_  
**PARENTS AND KIDS FAIR 2012**  
 SHOW NAME \_\_\_\_\_  
 BOOTH NO. \_\_\_\_\_ PURCHASE ORDER NO. \_\_\_\_\_

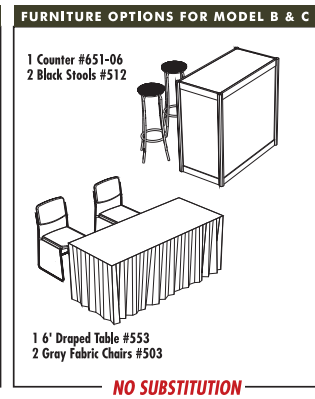
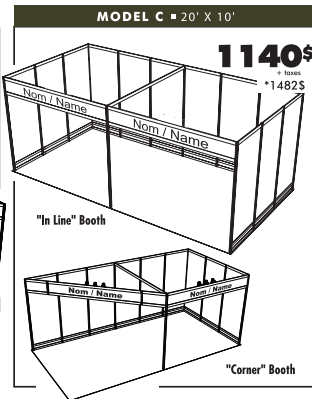
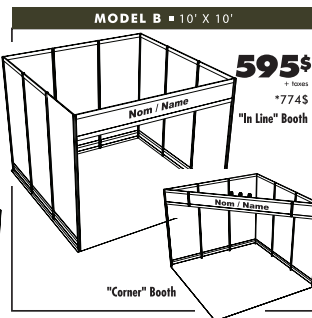
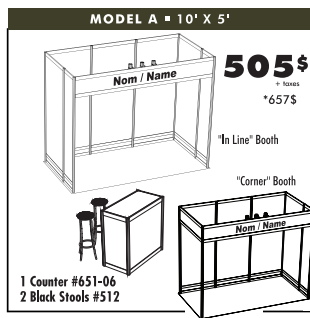
COMPANY CHEQUE  CREDIT CARD  CASH  TRAVELLER'S CHEQUE

PERSONAL CHEQUES MUST BE CERTIFIED.

MASTER CARD  AMERICAN EXPRESS  VISA

CARD NUMBER \_\_\_\_\_ EXPIRY DATE \_\_\_\_\_

CARD HOLDER'S NAME \_\_\_\_\_ AMOUNT \_\_\_\_\_



- For All Booths** You must order your electrical services
- Modular Aluminium Structure
  - Choice of Panel
  - Gray Rug
  - Identification
  - 1 Waste Basket
  - Furniture Selection
  - Light Track 3/120 watts (power not included + 133\$)

Discounted price until **February 28, 2012** \*Regular price after February 28, 2012

**PANELS** (Panel Colours Subject to Availability)

Fabric Covered  Blue  Green  Red OR Vinyl Covered  White  Gray

For 30\$ more (10' x 5') or 45\$ (10' x 10') or 90\$ (10' x 20'), select wood finish panels (Maple)

**FURNITURE** MODEL B OR C

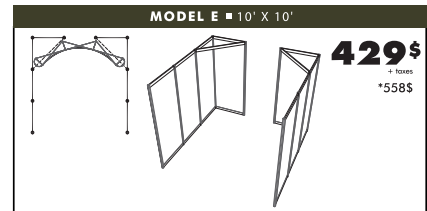
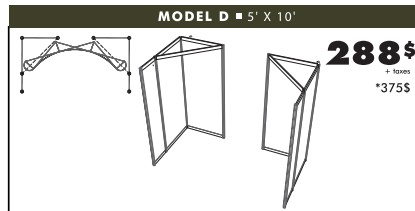
1 Counter #651-06  
 2 Black Stools #512  
 OR  
 1 6' Draped Table #553  
 2 Gray Fabric Chairs #503

**IDENTIFICATION** White text on coloured background assorted to chosen panels. For white panels, white text on blue background.

HEADER SIGN TO READ \_\_\_\_\_

Including : Modular Aluminium Structure with white vinyl panel as shown

**NB: Ideal for portable booth umbrella**



Discounted price until **February 28, 2012** \*Regular price after February 28, 2012

## FILL IN AND RETURN TO : GES CANADA / EXPOSERVICE STANDARD INC.

YOUR SELECTION:  MODEL A QUANTITY : \_\_\_\_\_  MODEL B QUANTITY : \_\_\_\_\_  MODEL C QUANTITY : \_\_\_\_\_  
 MODEL D QUANTITY : \_\_\_\_\_  MODEL E QUANTITY : \_\_\_\_\_

## ALL ORDERS MUST BE PREPAID IN FULL

### TERMS & CONDITIONS

- Company cheque will be accepted up to 4 weeks prior to show move-in date.
- To take advantage of this special price, we have to receive your orders before the deadline date.
- Claims will not be considered unless filed by the exhibitor on-site, prior to show opening.

Signature \_\_\_\_\_

Date \_\_\_\_\_

GST: R101720233	AMOUNT	\$
	GST 5%	\$
	SUB-TOTAL	\$
QST: 10-0226-0545 0001-JZ	QST 8.5%	\$
	<b>PAYMENT ENCLOSED</b>	\$